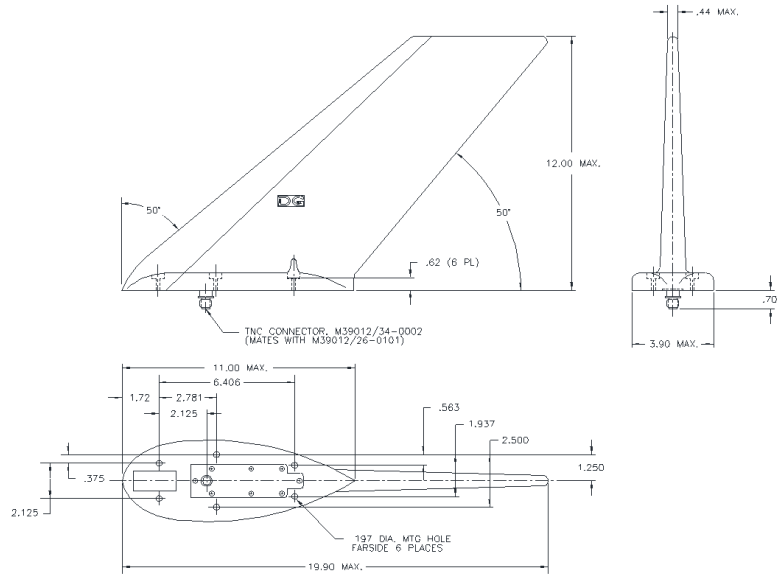


# 720041

## VHF Communications Antenna



Excellence in Aerospace since 1943



### Specifications

#### Electrical

Frequency	116-174 MHz
VSWR	2.5:1
Polarization	Vertical
Radiation Pattern	Omnidirectional
Impedance	50 Ohms
Power	50 Watts

#### Mechanical

Weight	2.5 lbs (1.13 kg)
Height	12.0 in (304.8 mm)
Material	Fiberglass
Color	Gloss White
Connector	TNC

#### Environmental

Speed Rating	600 Knots
--------------	-----------

#### Federal Specifications

Approvals	None
-----------	------

### 720041 VHF Communications Antenna

The 720041 is a low-drag, high-performance antenna.

#### Applications

Antenna designed for high-performance aircraft.

#### Peak Gain

Frequency (MHz)	Peak Gain (dBi)
116	+0.5
120	+3.0
130	+4.0
140	+2.0
152	+1.5
160	+1.0
174	+1.5