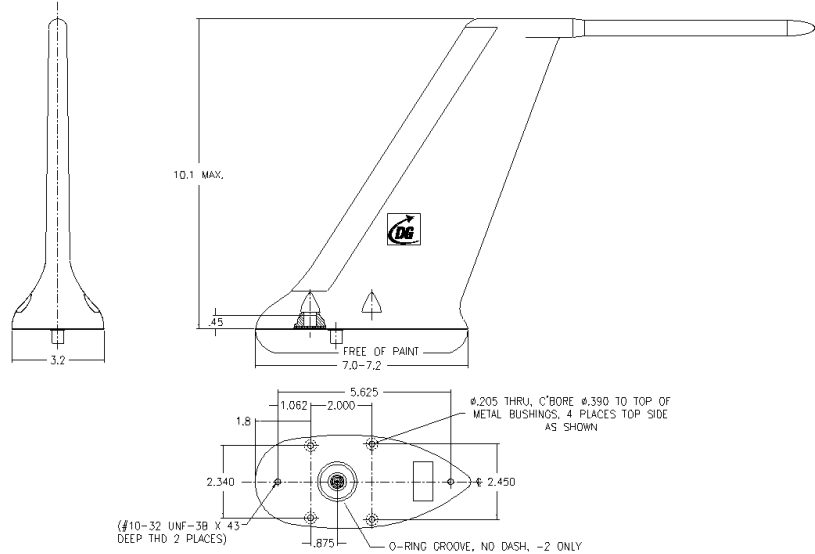


VHF10-829-()

VHF Communications Antenna



Excellence in Aerospace since 1943



Specifications

Electrical

Frequency	118-152 MHz
VSWR	3.0:1
Polarization	Vertical
Radiation Pattern	Omnidirectional
Impedance	50 ohms
Power	40 Watts
Gain	0 dBi at 118 MHz 0 dBi at 126-152 MHz

Mechanical

Weight	1.2 lbs. max. (0.54 kg)
Height	10.1 in (256.5 mm)
Material	Fiberglass Radome & Aluminum Baseplate
Finish	See Chart
Connector	See Chart

Environmental

Speed Rating	600 knots
Temperature	-55 °C to +70 °C
Vibration	Funct: 4.12 g _{RMS}
Shock	6 g _{PEAK} , 11 msec

Federal Specifications

Approvals	TSO-C169
-----------	----------

VHF10-829-() VHF Communications Antenna

The VHF10-829-() Antenna is a light-weight, top-loaded antenna to provide high performance in a low-profile envelope. With its internal elements encapsulated in foam, the antenna is well protected against the shock and vibration conditions encountered during flight.

Applications

Aircraft needing a low profile VHF antenna designed to operate over the frequency range of 118 to 152 MHz.

Series

DG PN	Connector Type	Number of Mounting Holes	Finish	O-ring around Connector
VHF10-829	BNC	4	White Polyurethane Rain Resistant Tape on Leading Edge	Yes
VHF10-829-1	TNC	4	White Polyurethane	No
VHF10-829-2	BNC	4	White Polyurethane Rain Resistant Tape on Leading Edge	Yes

Accessories and Options

Ultra Seal Conductive Gasket (DG PN 540685)