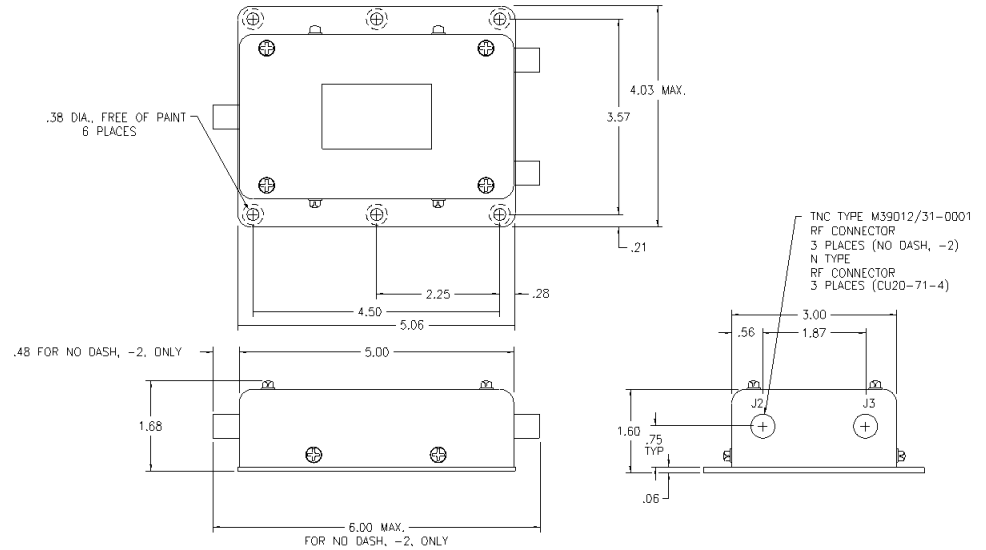


CU20-71-()

VHF/UHF Diplexer



Specifications

Electrical

Frequency	J1: 30-157 MHz and 225-400 MHz J2: 30-157 MHz J3: 225-400 MHz
-----------	--

VSWR 1.5:1 all ports

Impedance 50 Ohms

Power Handling 50 Watts CW
100 Watts Peak

Insertion Loss 0.8 dB

Isolation >45 dB* J2 to J3
*Except the CU20-71-2, for which the isolation is >25dB

Mechanical

Weight 0.75 lbs max (0.34 kg)

Height 1.68 in (42.67 mm)

Material Steel

Color Flat Black

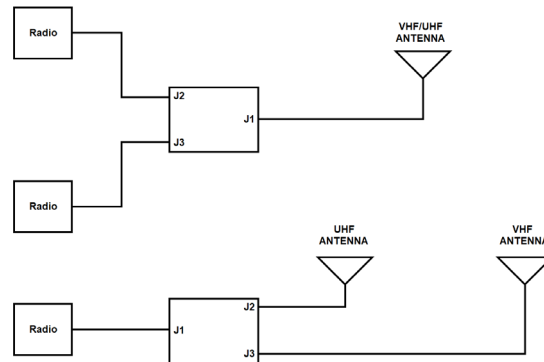
Connector CU20-71, -2: TNC
CU20-71-4: N

Federal Specifications

Approvals None

CU20-71-() VHF/UHF Diplexer

The CU20-71 is a VHF/UHF Diplexer that is designed to couple either one multiband antenna to two radios or one multiband radio to two different antennas. It offers high isolation between the ports.



Series

CU20-71 : provides frequency range coverage of 30 to 157 MHz and 225 to 400 MHz.

CU20-71-2: provides frequency range coverage of 30 to 174 MHz and 225 to 400 MHz.

CU20-71-4: provides frequency range coverage of 30 to 157 MHz and N-type connectors.