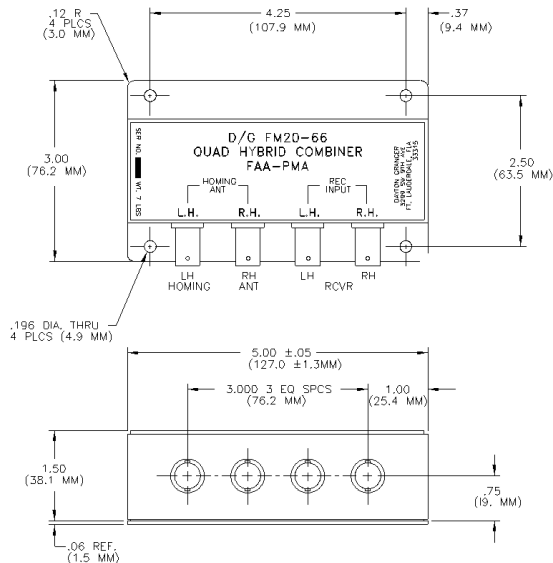
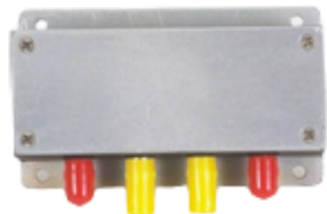


# FM20-66

## Quadrature Hybrid



Excellence in Aerospace since 1943



### Specifications

#### Electrical

Frequency	30-88 MHz
VSWR	2.0:1
Impedance	50 ohms
Insertion Loss	<2 dB
Phase Quadrature	90° ± 3°

#### Mechanical

Weight	0.7 lbs. max. (0.32 kg)
Height	1.5 in (38.1 mm)
Material	Aluminum
Color	Flat Black (housing only) Cover & Mounting plates left unpainted
Connector	BNC (Female)

#### Environmental

Temperature	-55 °C to +70 °C
Vibration	4.12 g <sub>RMS</sub>
Shock	6 g <sub>PEAK</sub> , 11 msec

#### Federal Specifications

Approvals	FAA-PMA DO-160D
-----------	--------------------

### FM20-66 Quadrature Hybrid

The FM20-66 quadrature hybrid is a 90-degree phase quadrature combiner. This combiner is positioned between the two homing antennas and the receiver.

#### Applications

Combiner designed to be utilized with DG's various homing antennas.