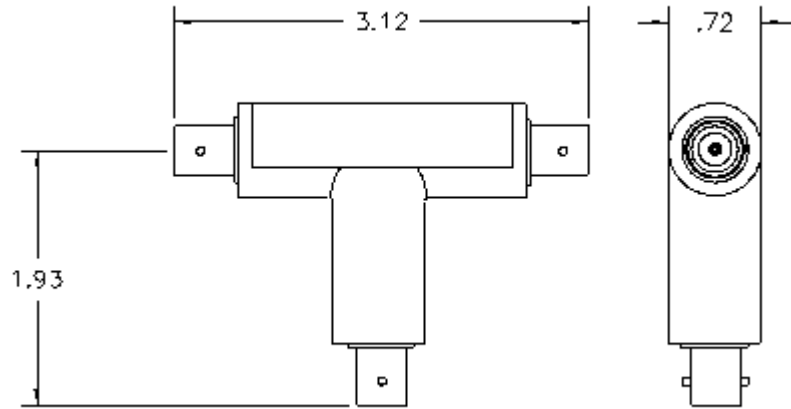


GSNC20-767

VOR/LOC/GS Combiner



Excellence in Aerospace since 1943



Specifications

Electrical

Frequency	108-118 MHz 328.6-335.4 MHz
VSWR	2.0:1
Isolation	20 dB min
Impedance	50 Ohms
Phase Shift	180° ± 6° (at 108-118 MHz only)
Insertion Loss	4.9 dB max

Mechanical

Weight	0.125 lbs max (0.057 kg)
Length	3.12 in (79.2 mm)
Width	2.29 in (58.2 mm)
Material	Sty-cast
Color	Flat Black
Connector	BNC Female

Federal Specifications

Approvals	FAA TSO approved as part of a system with the DG PN VT10-767-()
-----------	--

GSNC20-767 VOR/LOC/GS Combiner

The GSNC20-767 is a VOR/LOC/GS combiner designed to take the signals from two antennas and turn it into one signal carried to one VOR/LOC/GS receiver. It provides 2 BNC inputs for the two antennas and 1 BNC output for the receiver.