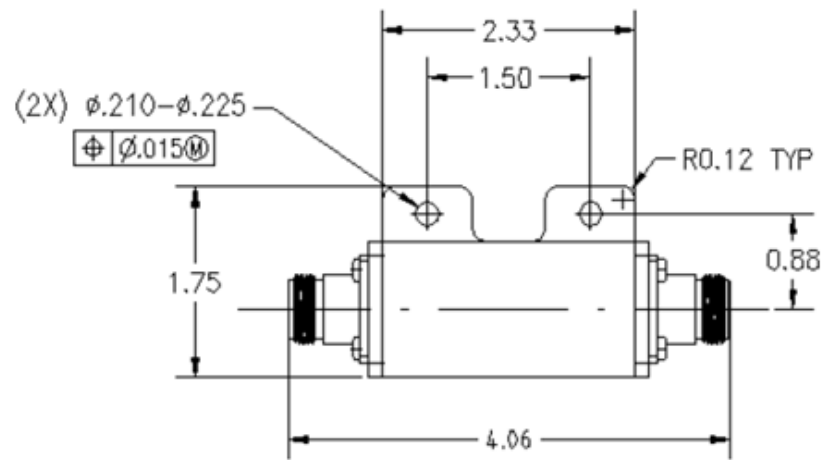


HPF40-866

High-pass Filter - SRW



Excellence in Aerospace since 1943



Specifications

Electrical

Frequency	Pass Band: 1350-1850 MHz Reject Band: 30-1220 MHz
VSWR	2.0:1
Insertion Loss	0.7 dB at 1350-1850 MHz
Impedance	50 Ohms
Power	100 Watts CW
Attenuation (min)	60 dB at 30-512 MHz 50 dB at 512-960 MHz 20 dB at 960-1220 MHz

Mechanical

Weight	0.4 lbs max (0.18 kg)
Length	4.2 in (106.7 mm)
Material	Aluminum
Color	Flat Black
Connector	N-female / N-female

Federal Specifications

Approvals	MIL-STD-810F
-----------	--------------

HPF40-866 High-pass Filter - SRW

The HPF40-866 is a high-pass filter that can be used with radios with the Soldier Radio Waveform that operate in the 1350 to 1850 MHz frequency range. This filter has excellent electrical properties for isolating Soldier Radio Waveform (SRW) from VHF/UHF Communications, UHF SATCOM, IFF and TACAN bands, and other VHF/UHF/L-band signals. It is extremely durable and will pass all military environmental requirements. This is a cost-effective, light-weight solution for isolating RF systems.