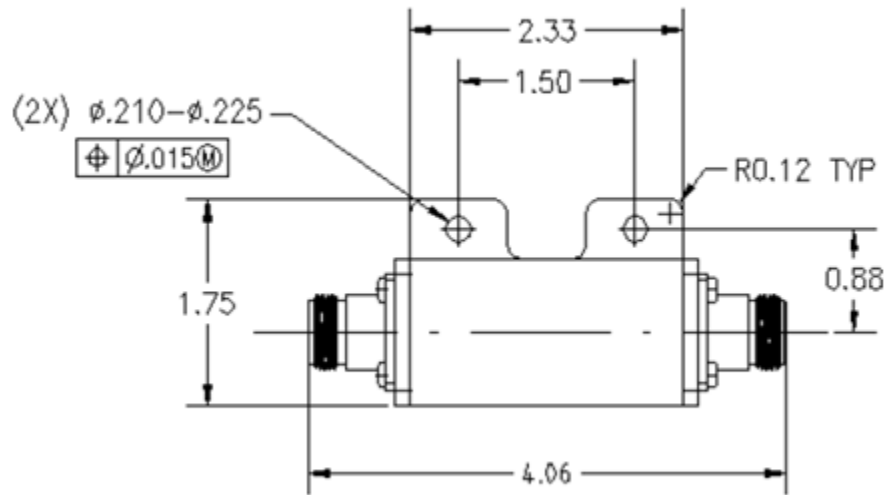


# LPF41-866

## Low-pass Filter - SRW



Excellence in Aerospace since 1943



### Specifications

#### Electrical

Frequency	Pass Band: 30-450 MHz Reject Band: 960-1220 MHz / 1350-1850 MHz
VSWR	1.5:1
Insertion Loss	0.5 dB max
Impedance	50 Ohms
Power	150 Watts CW
Attenuation (min)	60 dB at 960-1850 MHz

#### Mechanical

Weight	0.4 lbs max (0.18 kg)
Length	4.2 in (106.7 mm)
Material	Aluminum
Color	Flat Black
Connector	N-Female

#### Federal Specifications

Approvals	MIL-STD-810F
-----------	--------------

### LPF41-866 Low-pass Filter - SRW

The LPF41-866 is a low-pass filter that can be used with multiple radios that operate in the 30 to 450 MHz frequency range. This filter has excellent electrical properties for isolating VHF/UHF communications and UHF SATCOM bands from IFF, TACAN and Soldier Radio Waveform (SRW) bands. It is extremely durable and will pass all military environmental requirements. This is a cost-effective, light-weight solution for isolating RF systems.