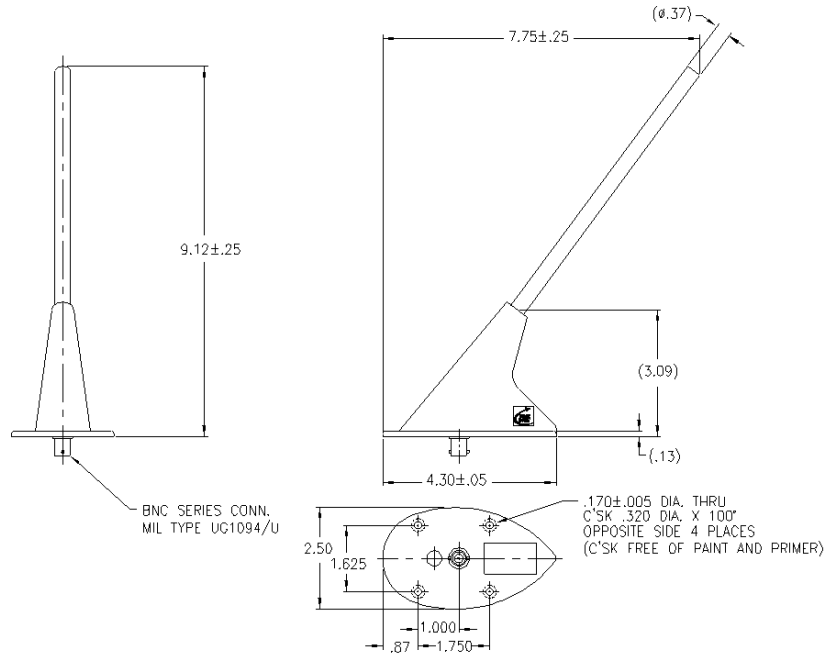


# ELT10-214-2

## ELT Antenna



Excellence in Aerospace since 1943



### Specifications

#### Electrical

|                   |                   |
|-------------------|-------------------|
| Frequency         | 121.5 + 243.0 MHz |
| VSWR              | 2.0:1             |
| Polarization      | Vertical          |
| Radiation Pattern | Omnidirectional   |
| Impedance         | 50 Ohms           |
| Power             | 40 Watts          |

#### Mechanical

|           |                                  |
|-----------|----------------------------------|
| Weight    | 0.3 lbs. max (0.14 kg)           |
| Height    | 9.12 in max (231.6 mm)           |
| Material  | Fiberglass Rod/<br>Aluminum Base |
| Finish    | White Polyurethane               |
| Connector | BNC                              |

#### Environmental

|              |           |
|--------------|-----------|
| Speed Rating | 300 knots |
|--------------|-----------|

#### Federal

#### Specifications

|           |             |
|-----------|-------------|
| Approvals | FAA TSO C91 |
|-----------|-------------|

### ELT10-214-2 ELT Antenna

The ELT10-214-2 is an externally-mounted, Emergency Locator Transmitter (ELT), rod antenna, which operates on the 121.5 MHz and 243.0 MHz emergency frequencies. It is supplied with a 5-foot RG-58C/U coaxial cable, which is terminated with a male BNC type of connector. The antenna is constructed of fiberglass and epoxy material, and the internal components are foamed in place to avoid problems incurred during aircraft shock and vibration.