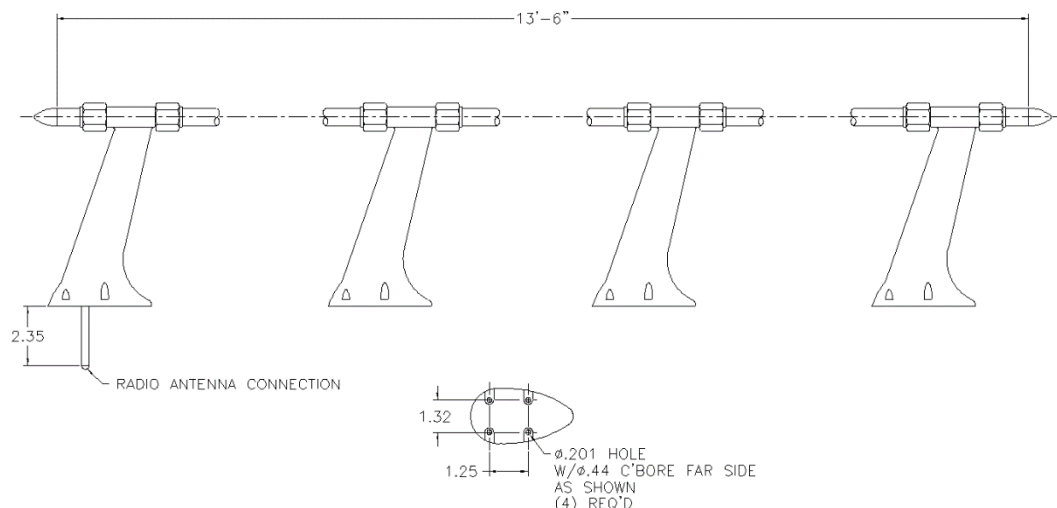


17660-()

HF "Towel Bar" Antenna



NEED IMAGE



Specifications

Electrical

Frequency	2 – 30 MHz
Polarization	Vertical
Radiation Pattern	Omni
Impedance	50 Ohm
Power	200 Watts

Mechanical

Weight	6.0 lbs max (2.72 kg)
Height	8.25 in (209.6 mm)
Material	Aluminum
Color	White

Environmental

Speed Rating	500 knots
Temperature	-55 °C to +71 °C
Vibration	5 g _{PK} (5-500 Hz)
Shock	15 g _{PK}

Federal

Specifications

Approvals	None
-----------	------

17660-() HF "Towel Bar" Antenna

The 17660-() is an HF "Towel Bar" Antenna that utilizes a 0.5-inch aluminum bar, while locking chucks secure the bar at the mast head. It also utilizes three stand-off masts, a feed mast, and an end mast.

Applications

Antenna is designed to operate with most HF transceivers.

Series

DG PN	Notes
17660-1	Utilizes a radio-antenna connection #10-32x3/8" long PHMS with a 13.5-foot stainless steel bar.
17660-2	Same as the -1, except it utilizes a 13.5-foot long stainless steel bar.
17660-3	Same as the -1, except it utilizes a 4-piece stainless steel bar (40.5-inch each).
17660-4	Same as the -1, except it utilizes a 4-piece aluminum bar (40.5-inch each).
17660-5	Same as the -1, except it utilizes a 4-piece stainless steel bar (40.5-inch each) and 4 stand-off masts.
17660-6	Has an HN connector, with a 13.5-foot stainless steel bar.