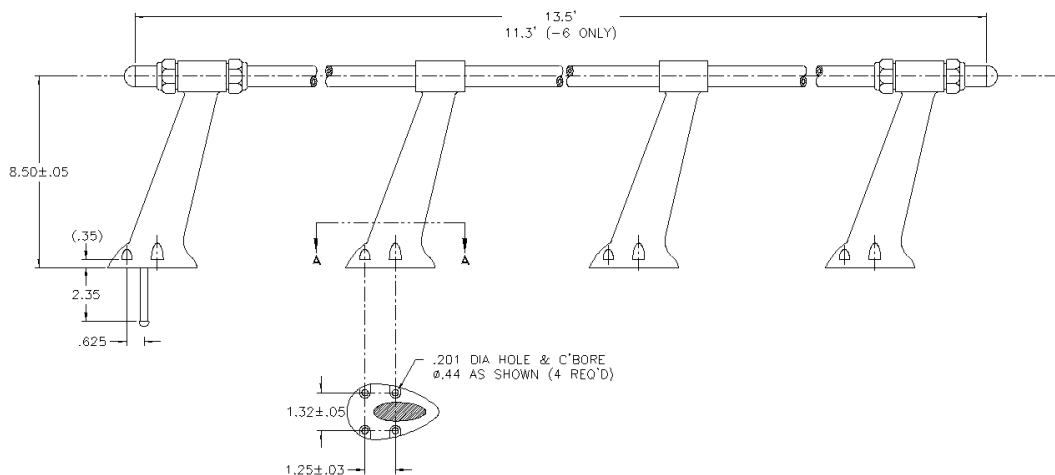


17760-()

HF "Towel Bar" Antenna



Specifications

Electrical

Frequency	2 – 30 MHz
Polarization	Vertical
Radiation Pattern	Omni
Impedance	50 Ohm
Power	200 Watts CW 400 Watts PEP

Mechanical

Weight	6.0 lbs max (2.72 kg)
Height	9.25 in (235 mm)
Material	Aluminum
Finish	See Table

Environmental

Speed Rating	600 knots
--------------	-----------

Federal Specifications

Approvals	None
-----------	------

17760-() HF "Towel Bar" Antenna

The 17760-() is an HF "Towel Bar" Antenna that utilizes a 1.0-inch aluminum bar to minimize resistive losses, while locking chucks secure the bar at the mast head. It also utilizes three stand-off masts and a feed mast head.

Applications

Antennas designed to operate with most HF transceivers.

Series

Dash	Color	Connector	Number of Standoffs	Length (ft.)
-1	Olive Drab	Feed Through	3	13.5
-2	Olive Drab	Feed Through	3	13.5
-3	Olive Drab	HN	3	13.5
-4	Olive Drab	HN	4	13.5
-5	Olive Drab	Feed Through	4	13.5
-6	Olive Drab	Feed Through	3	11.3
-7	Olive Drab	HN	4	13.5
-8	Gray	HN	3	10.0
-9	White	HN	3	13.5