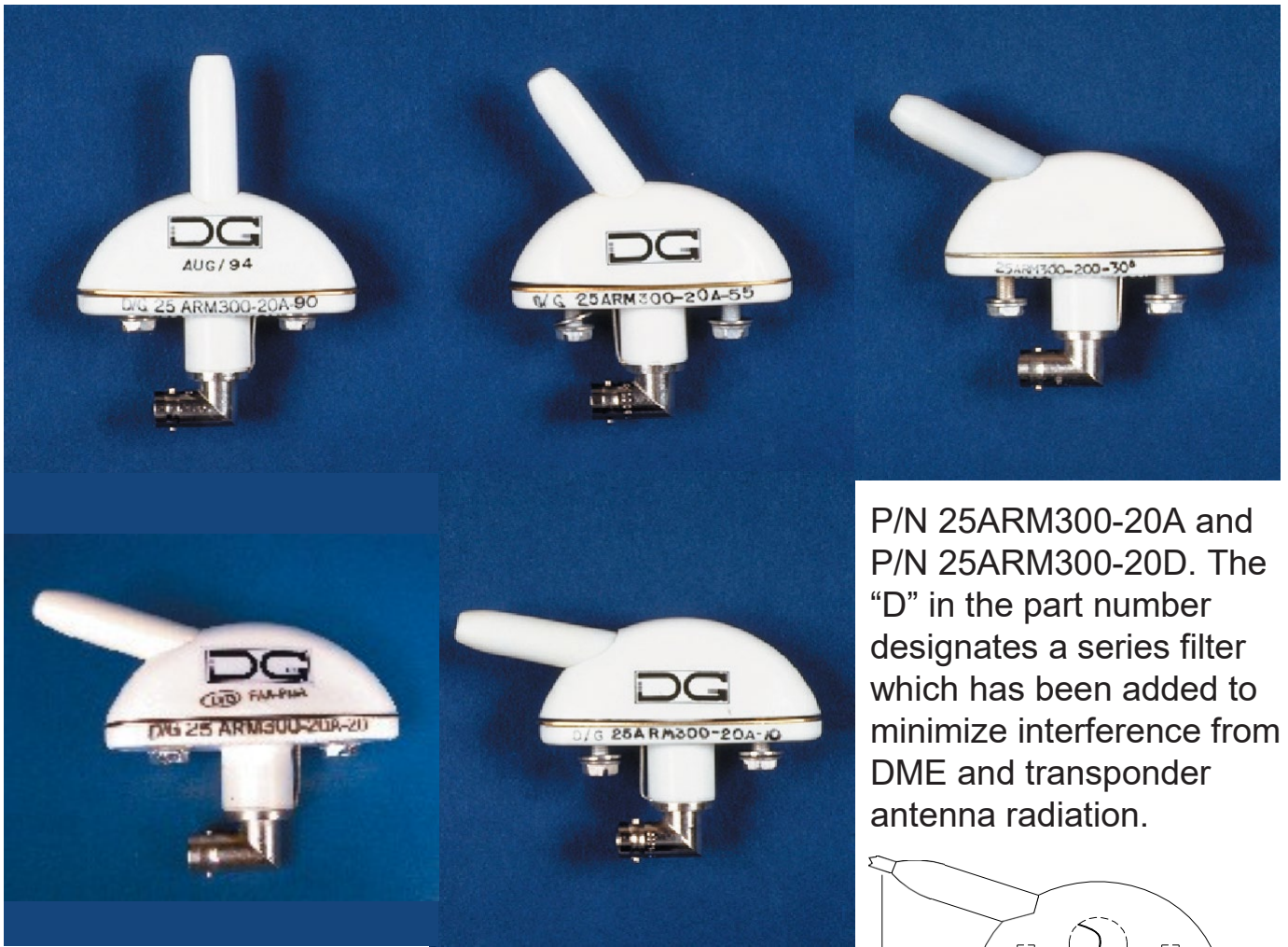


LEAD-THRU INSULATORS

P/N 25ARM300-20A-(), 25ARM300-20D-()



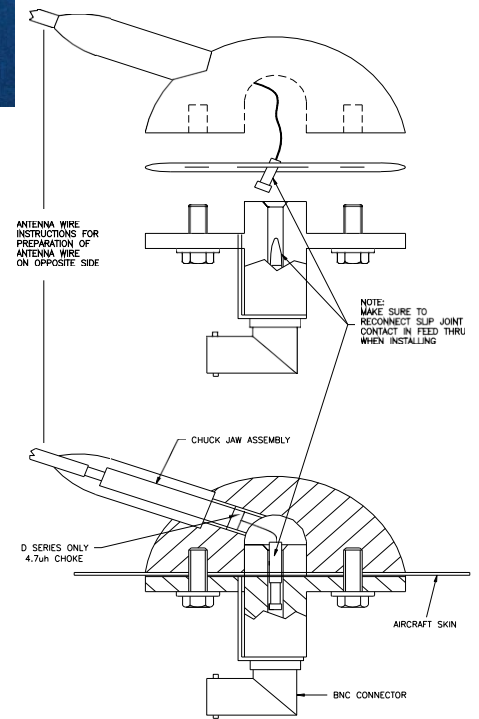
P/N 25ARM300-20A and P/N 25ARM300-20D. The “D” in the part number designates a series filter which has been added to minimize interference from DME and transponder antenna radiation.

25ARM300-20A-(*)

*= 90°,55°,30°,20°,10° degree angles

25ARM300-20D-(*)

*= 90°,55°,30°,20°,10° degree angles



P.O. Box 350550, Ft. Lauderdale, FL. 33335 Tel: (954) 463-3451 Fax: (954) 761-3172
Web site: www.daytongranger.com